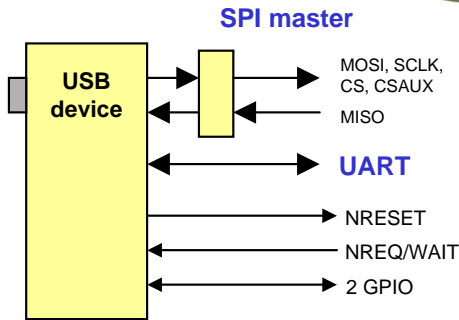


ThePod

USB debug adapter

ThePod is a compact debug unit for embedded systems, and includes:

- a programmable **SPI** master interface
- an **UART** port
- general-purpose I/O pins
- control of target reset
- dedicated REQ/WAIT pin



OUT	TXD	1	2	RXD	IN
	GND	3	4	SPI_MISO	IN
	GND	5	6	SPI_CLK	OUT
	GND	7	8	SPI_CS	OUT
OUT	SPI_MOSI	9	10	NREQ	IN
	GND	11	12	GND	
OUT	SPI_CSAUX	13	14	GP0	I/O
I/O	GP1	15	16	NRESET	OUT

Target connector



OS support	Windows 2000/XP/Vista
USB interface	2.0 full-speed, USB-powered
Voltage levels	3.3V
Max SPI speed	3 Mbps
SPI modes	0 CPOL = 0, CPHA = 0
	1 CPOL = 0, CPHA = 1
	2 CPOL = 1, CPHA = 0
	3 CPOL = 1, CPHA = 1
SPI word width	8, 16, 24, 32 bit
UART baud rate	2400.....320k bps

Specifications

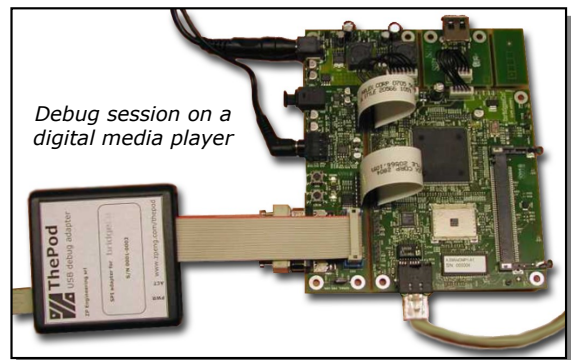
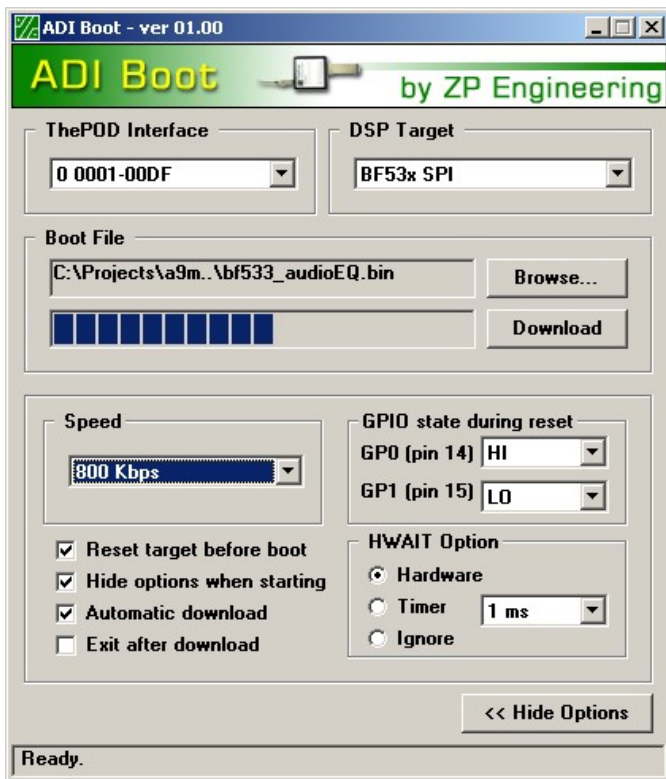
A general-purpose DLL is available, allowing the developer to implement custom SPI protocols. The UART port is visible as a Virtual COM Port on host, ensuring immediate compatibility with existing applications.

Target can be controlled via a dedicated RESET output pin, a request/wait input pin, and 2 general-purpose I/O pins.

The application **ADI Boot** is provided to allow fast booting of several Analog Devices DSPs:

- BF53x
- ADSP-2136x
- ADSP-21161N

Other targets are being added, and will be freely available on the download page.



www.zpeng.com/thePod

ZP Engineering has a strong background in digital audio and industrial appliance design, and has become an official design resource for selected silicon and solution providers in the embedded and digital multimedia world. In-house expertise is available for embedded connectivity (LAN, WiFi, IEEE-1394, USB), embedded operating systems (uClinux and Linux), advanced digital signal processing applications, complex FPGA development, complete product design.



ZP Engineering srl
via Ardito Desio, 60 - 00131 ROME - ITALY - www.zpeng.com
tel. +39.06.41230392, fax +39.06.41293033